

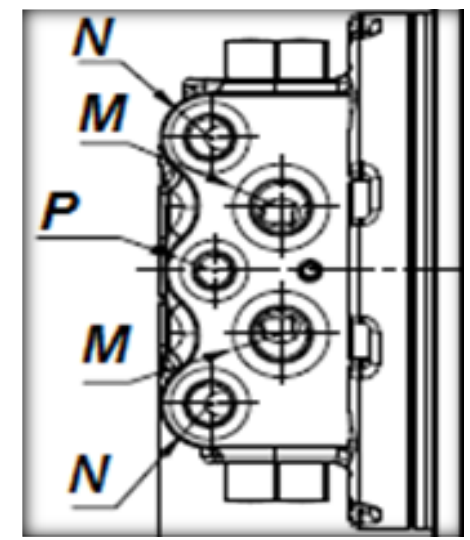
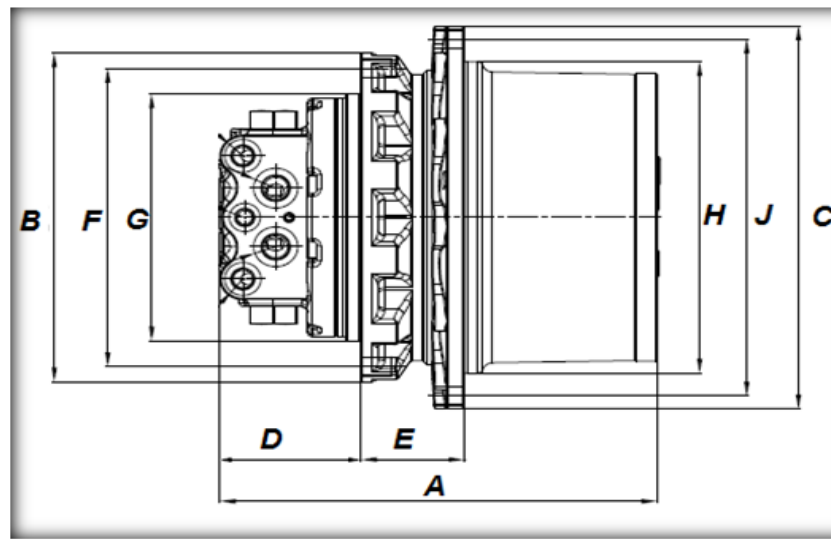
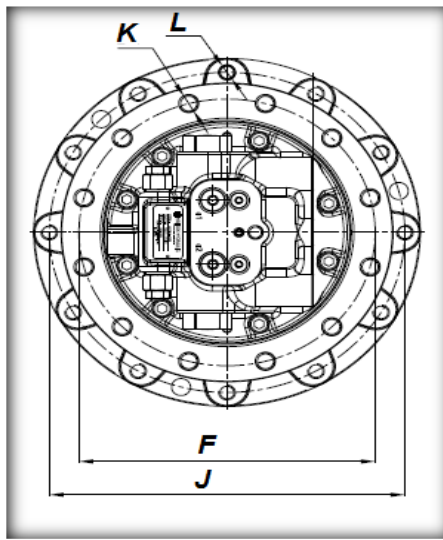
Specification

No	Reduction Gear			Hydraulic Motor						Excavator Application	Weight	
	Theoretical Max. output Torque	Gear Ratio	out speed	Displacement	Output speed	Max Pressure	Barke Torque (at Motor shaft)	2 Speed	1 Speed			Relief Valve
	N.m	i	max rpm	cc/rev	max rpm	kgf/cm	N.m				ton	Kg
1	1500	37.00	144	11	4000	230	20	●	▲	✕	> 1	17
2	2200	31.00	98	20	3800	230	25	●	▲	✕	1.5 - 2	25
3	3000	53.70	62	16	3360	230	49	●	▲	✕	3 - 4	38
4	4500	53.70	44	21	3360	230	49	●	▲	✕	4 - 5	43
5	6700	68.60	80	25	3600	250	65	●	▲	✕	5 - 6	53
6	7000	47.00	80	34	3300	270	83	●	▲	●	6 - 7	60
7	8300	53.70	60	55	3900	300	62	●	▲	●	5 - 8	80
8	12000	53.70	60	49	3900	350	82	●	▲	●	6 - 8	82
9	15000	53.00	42	86	3200	350	193	●	▲	●	8 - 10	125
10	20000	53.00	60	86	3200	350	193	●	▲	●	13 - 18	136
11	25000	53.00	60	86	3200	350	193	●	▲	●	13-18	145
12	34000	39.00	70	156	2800	350	398	●	▲	●	15 - 20	230
13	45000	48.00	50	184	2400	350	483	●	▲	●	18 - 25	308
14	55000	57.91	21	171	2600	350	291	●	▲	●	28 - 30	420
15	68000	63.84	40	195	2600	350	436	●	▲	●	29 - 34	400
16	72000	70.18	36	185	2500	350	436	●	▲	●	34 - 38	425
17	77000	78.00	23	180	2400	350	320	●	▲	●	40	380
18	94000	63.00	45	274	2200	350	1010	●	▲	●	45 - 55	610
19	98000	68.23	40	280	2700	350	1135	●	▲	●	80 - 100	520

● : standard ▲ : option ✕ : not available



* Materials and Specifications are subject to change for improvement without prior notice.



Dimension Comprision sheet

No	A	B	C	D	E	F	G	H	J	K(Motor)	L(Sprocket)	M(Port)	N(Drain)	P(Ps)
1	196	175	175	68,5	45	155	140	140	155	8-M10	9-M10	2-PF3/8	PF1/8	PF1/4
2	223	190	200	84	40	170	150	160	180	8-M10	9-M10	2-PF3/8	PF1/4	PF1/8
3	257	215	240	75	50	192	165	190	215	9-M12	9-M12	PF1/2	PF1/4	PF1/4
4	268,8	215	255	78,5	70	192	165	196	232	9-M12xP2.0	9-M12xP2.0	PF1/2	PF1/4	PF1/4
5	273	246	288	82	75,5	220	180	230	262	12-M14xP2.0	12-M14xP2.0	PF1/2	PF1/4	PF1/4
6	295	264	285	88	68	200	180	230	262	12-M14xP2.0	9-M14xP2.0	PF1/2	PF3/8	PF1/8
7	345	268	306	124	68	244	210	250	282	12-M14xP2.0	12-M14xP2.0	PF1/2	PF3/8	PF1/4
8	333	280	326	115	80	250	210	265	300	12-M16xP2.0	12-M14xP2.0	PF1/2	PF3/8	PF1/4
9	389,5	298	362	134	88	270	230	292	332	15-M16xP2.0	12-M16xP2.0	PF3/4	PF1/2	PF1/4
10	389	308	394	134	99,5	280	246	324	364	20-M16xP2.0	15-M16xP2.0	PF3/4	PF1/2	PF1/4
11	397	308	394	124	99,5	280	246	324	364	20-M16xP2.0	15-M16xP2.0	PF3/4	PF1/2	PF1/4
12	464,5	372	433	138,5	99,5	340	300	362	402	30-M16xP2.0	24-M16xP2.0	PF1	PF1/2	PF1/4
13	540	370	470	159,5	98,5	340	300	402	440	30-M16xP2.0	30-M16xP2.0	SAE1"	PF1/2	PF1/4
14	518,5	370	470	168	72,5	340	300	400	440	30-M16xP2.0	30-M16xP2.0	SAE1"	PF1/2	PF1/4
15	569	462	525	175	112	425	380	450	490	26-M20xP2.5	24-M20xP2.5	SAE1"	PF1/2	PF1/4
16	572	462	520	155	112	425	380	450	490	26-M20xP2.5	24-M20xP2.5	SAE1"	PF1/2	PF1/4
17	584,8	460	568	165	112	425	380	490	535	24-M20xP2.5	26-M20xP2.5	SAE1"	PF1/2	PF1/4
18	651	497	635	195	130	460	420	556	605	24-M20xP2.5	30-M20xP2.5	SAE1"	PF1/2	PF1/4
19	668	500	586	207	130	460	420	510	550	26-M24xP2.5	36-M20xP2.5	SAE1-1/4"	PF1/2	PF1/4