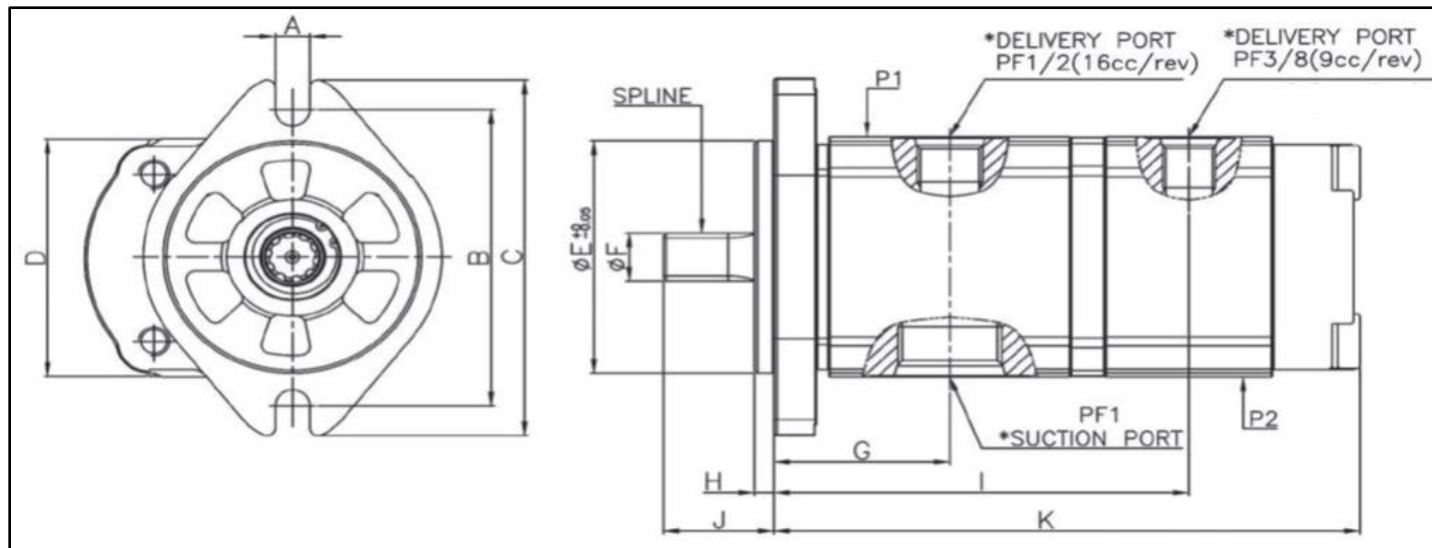


Double Type Gear Pump for 16.80/10

TongMyung



Model	GP 16.80/10	
Discharge Rate(cc/rev)	P1	P2
	16.80	10
MAX. Pressure(Kg/cm²)	180	
Max. Speed(rpm)	2000	



Model	Spline	A	B	C	D	E	F	G	H	I	J	K
GP16.80/10 (mm)	Z10	11	106	127	85	82.55	17	47.60	6.20	121.60	35.30	213

TongMyung

TongMyung Eng. Europe GmbH

Tel : +49-211-569-2765

Fax : +49-211-569-2766

service@tme-europe.de

All manufacturers names, symbols and descriptions are used for reference purpose only and it does not imply that any part listed is the product of these manufacturers.