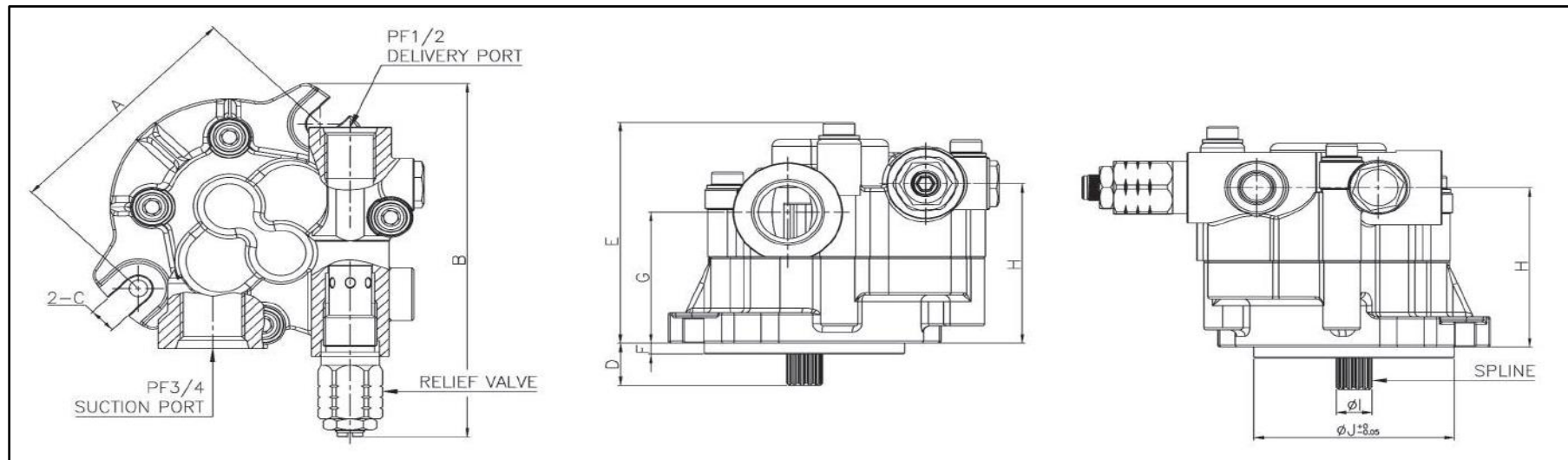


K3V/K5V DTP Single Gear Pump for PTO Type



Model	K3V63DTP / K5V80DTP	K3V112 DP / K5V200DPH
Discharge Rate(cc/rev)	12	15
MAX. Pressure(Kg/cm ²)	50	50
Max. Speed(rpm)	2700 - 3250	2200 - 2500
Direction	CCW(L)	



Model	Spline	A	B	C	D	E	F	G	H	I	J
K3V63DTP	Z13	106	161	11.50	19.20	100.80	5	59.80	72.80	14.80	82.55
K5V80DTP											
K5V112DP											
K5V200DPH											