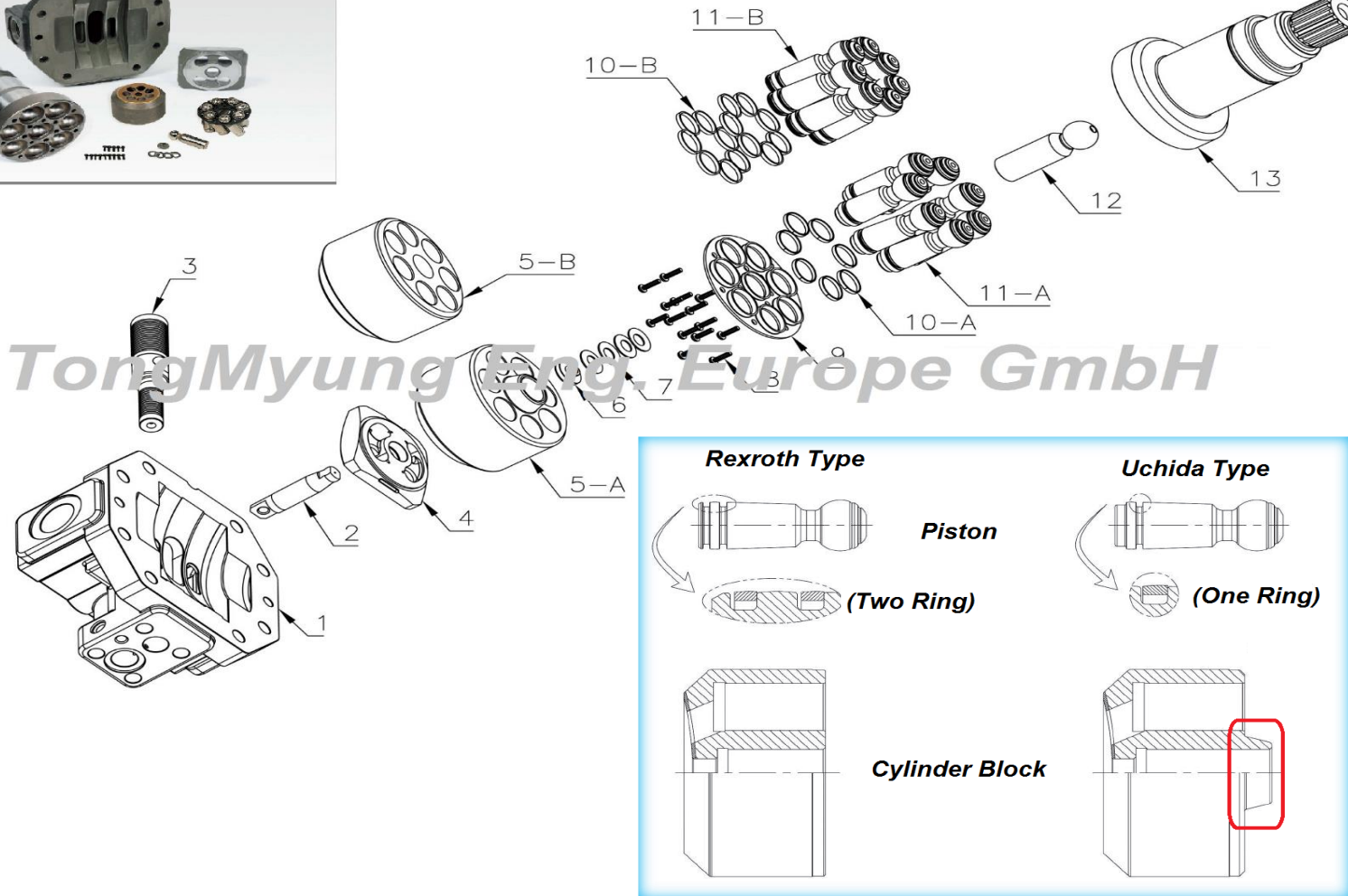


# Hydraulic parts : A6VM Series



A6VM55/59/80/86/107/115/160/172/200/250			
Key No	Description	Q'ty	Remarks
1	Head Cover	1	
2	Servo Piston pin	1	
3	Servo Piston	1	
4	Valve plate	1	
5-A	Cylinder block	1	Uchida
5-B	Cylinder block	1	Rexroth
6-A	Disk Spring Holder	1	Uchida
6-B	Coil Spring	1	Rexroth
7	Disk Spring	4	
8	Socket Bolt	14	
9	Retainer Plate	1	
10-A	Ring of Piston	7	Uchida
10-B	Ring of Piston	7	Rexroth
11-A	Piston(One Ring)	7	Uchida
11-B	Piston(Two Ring)	7	Rexroth
12-A	Center Pin(Disk)	1	
12-B	Center Pin(Coil)	1	
13	Drive shaft	1	
14	Lock Nut	1	